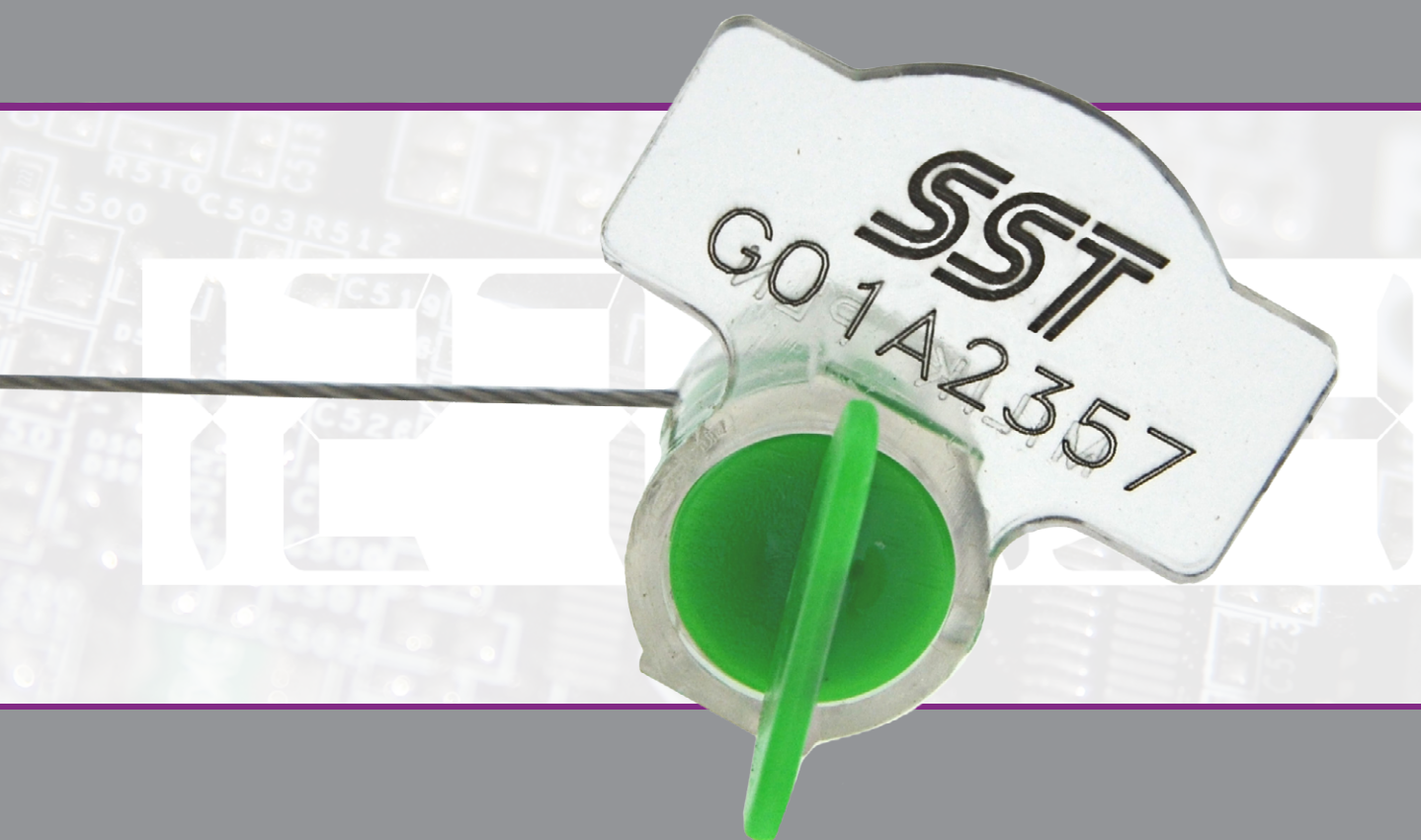


MERKUR[®]

METERING

MERTRONIC[®] Seals



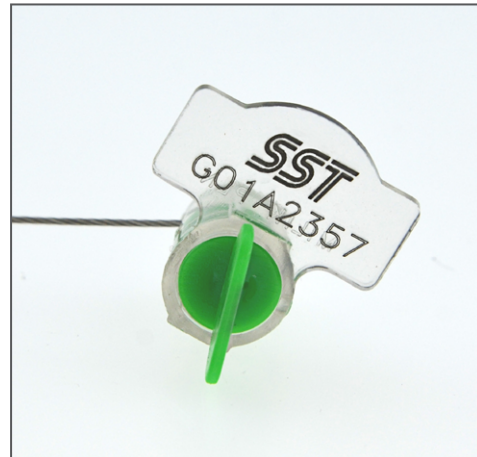
MERKUR[®]
GERMAN TECHNOLOGY

Mertronic® Seals

MERTRONIC® Seals

Main Features

- Twist type wire meter seals featuring transparent body
- The body of the seal contains a ray cachet, which allows to insert the wire only in one direction (self locking).
- Tools free installation
- One end of the sealing wire is permanently attached to the body of the seal
- The twist nut cannot be removed or pulled out from the body of the seal.
- The grip of twist wing nut can be broken / snapped off after tightening
- Durable for 10 years
- Ratchet nut to turn in one direction only
- Tamper resistant

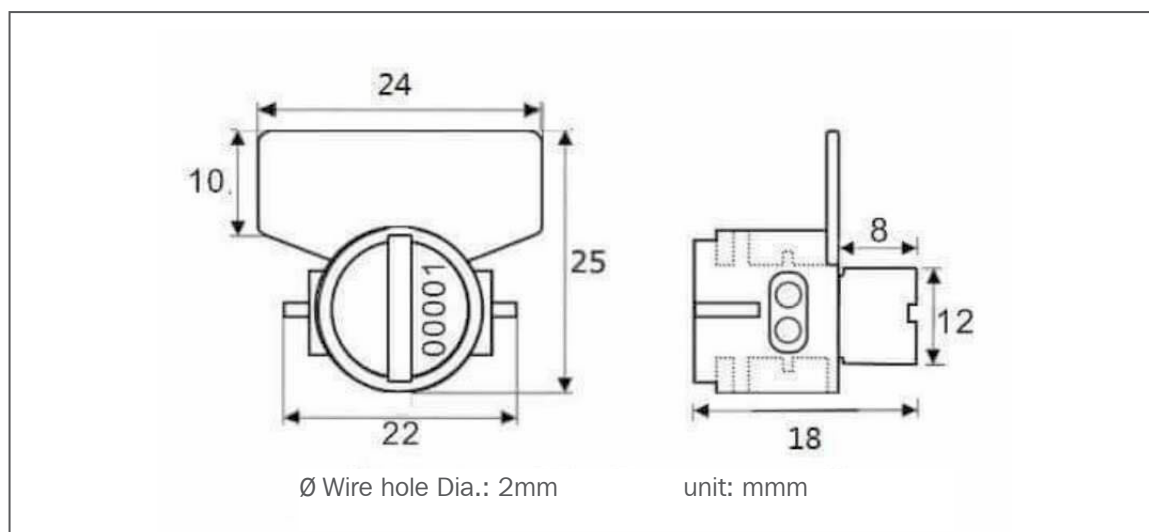


Mertronic® Seals

Specifications

Matchcode		MT KWMS 198140
Wire length		20 cm
Wire material		7x 0,68 mm stainless steel
Body		The body of the seal can have Utility name printed
Acrylic properties	Specific gravity	1.15
	Melt flow rate (2300c/ 3.8 Kg.)	3.3g / 10 min
	Tensile strength @ maximum.	5500
	Flexural strength, maximum	10300 psi.
	Rockwell Hardness	38M
	Thermal conductivity	1.5 BTU / hr.
	Refractive Index (ND @ 730F)	1.49
Dimension :L x W x T, in mm		19.8 x 14 x 1.5
Color		Blue/Red or other
Number of digits printable		8 digits
Character height		3/32" (Black/Red)
Personalization		Utility Name/Logo can be printed on the flag
Test report	Chemical analysis of high impact Acrylic mater	As per latest version of respective IEC standard
	Salt fog test	As per ASTM B-117
Packing		100 nos. per bag & each carton contains 5,000 nos. of seals in a airtight Polyethylene packet

Dimensions

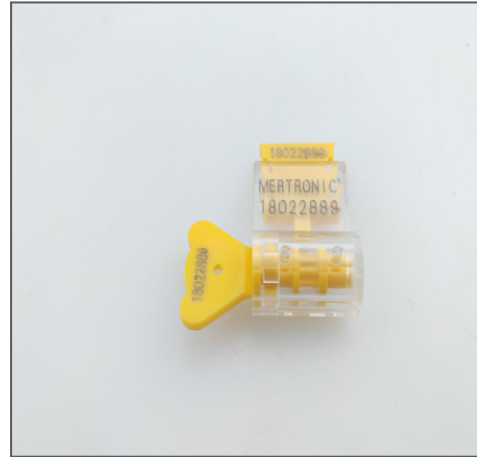


Mertronic® Seals

MERTRONIC® Double Security Seals

Main Features

- Double Security Twist type wire meter seals featuring transparent body
- The body of the seal contains a ray cachet, which allows to insert the wire only in one direction (self locking).
- Tools free installation
- One end of the sealing wire is permanently attached to the body of the seal
- The twist nut cannot be removed or pulled out from the body of the seal.
- The grip of twist wing nut can be broken / snapped off after tightening
- Durable for 10 years
- Ratchet nut to turn in one direction only
- Tamper resistant



Headquarter Germany

Mattentwiete 5
20457 Hamburg
Germany

☎ +49 - 40 32 08 27 3
☎ +49 - 40 32 08 27 59

✉ mail@merkur-hamburg.de

Office United Arab Emirates

Level 41, Emirates Towers
Sheikh Zayed Road
P.O. Box: 31 303
Dubai - U.A.E.

☎ +971 - 43 13 28 92
☎ +971 - 43 13 27 53

Office Hongkong

Unit 1202, Level 12,
One Peking Building
1 Peking Road, Tsim Sha Tsui
Hongkong

☎ +852 - 39 80 92 25
☎ +852 - 39 80 92 34

Distributors

Afghanistan

Liberty Corporation Co.
64m Street, Herat City
Afghanistan
☎ +937 - 99 69 44 81

Bahrain

Shaheen Group
P.O.Box 405
Manama
Kingdom of Bahrain
☎ +973 -17 81 35 35z

Cameroon

CALICO Sarl
BP 15566
Douala
Cameroon
☎ +237- 22 43 80 44

Ghana

Luminant Electricals
P.O. Box CT5204
Cantonment-Accra
Ghana
☎ +233 - 27 52 29 62 2

Lebanon

Tele Project
P.O. Box 55268
Sin el Fil
Lebanon
☎ +961 - 16 87 900

Oman

Trade Links and Services Co. LLC
P.O.Box 2901
Ruwi 112
Sultanate of Oman
☎ +968 - 24 70 67 75

Saudi Arabia

Ahmed Omer Bagazy Est.
P.O. Box 16367
Jeddah 21464
Saudi Arabia
☎ +966 - 26 47 29 28

Sri Lanka

Rotax Limited
332 Galle Road
Colombo 04
Sri Lanka
☎ +94 - 11 55 74 07 0

United Arab Emirates

GILCO CONTRACTING & BUILDING
WORKS L.L.C.
P.O. Box 4916
Deira, Dubai
United Arab Emirates
☎ +971 - 43 96 15 25

Yemen

Al Ashwal for Electrical Trade &
Agencies
Shoub Street
Sana'a
Yemen Republic
☎ +967 - 12 82 43 2