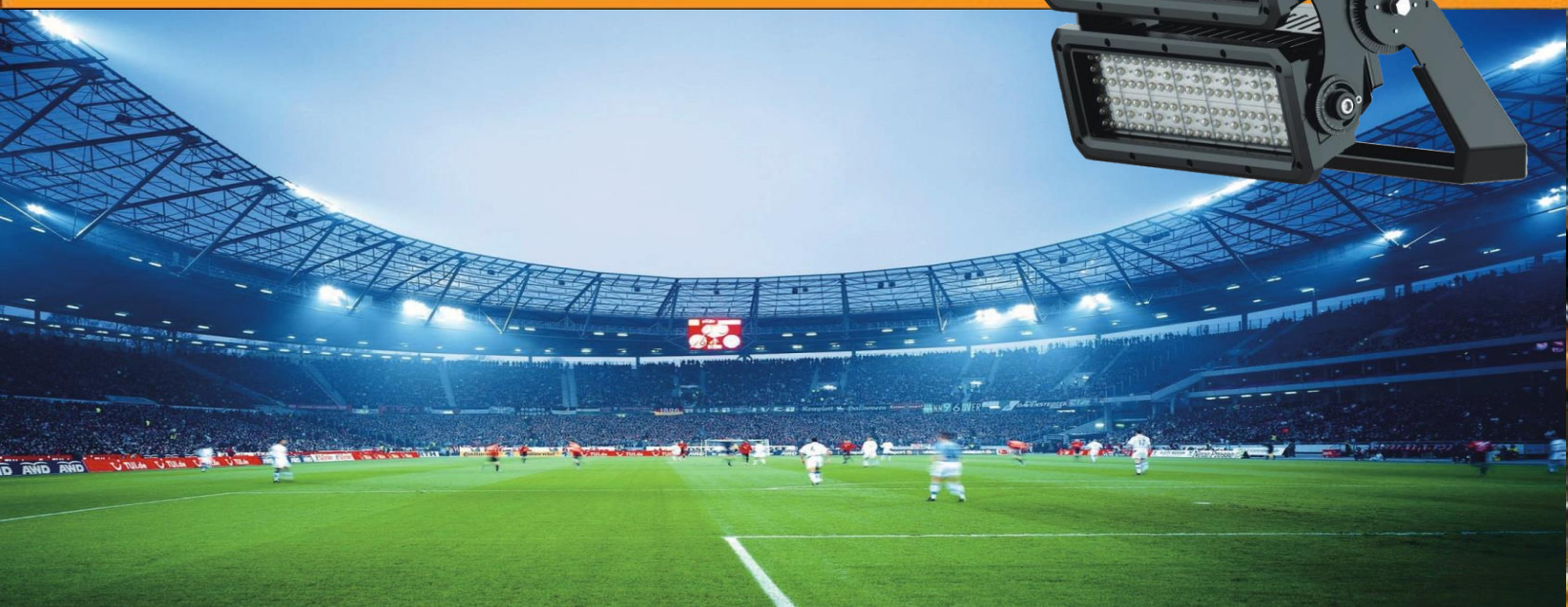


MERTRONIC®
LIGHTING

MERTRONIC®

MARSHAL LED Stadium Light



MERKUR®
GERMAN TECHNOLOGY

Committed to Tradition



Ulrich Scheller
Export Manager

For over 100 years – since the time of Werner von Siemens – German Technology is renown for outstanding innovation and technical leadership. **MERKUR** Ueberseehandel GmbH is committed to this long tradition.

Under **MERKUR** German Technology we develop and produce warranted, durable high quality products in the following segments:

- Electrotechnology
- Lighting
- Metering
- Power Distribution
- Climatisation
- Renewable Energy

MERKUR clients worldwide can rely on our vast experience. We offer authorised distributors competitive prices better allowing them to compete in the market. We also successfully cooperate with contractors who are bidding for public utility tenders.


MERKUR is a reliable partner with a tradition of providing individually tailored products and solutions in accordance with customers' needs. Contact us and we gladly assist you with more details about our products and services. Get in touch with us!

A handwritten signature in black ink, appearing to read 'Ulrich Scheller', written in a cursive style.

Export Manager

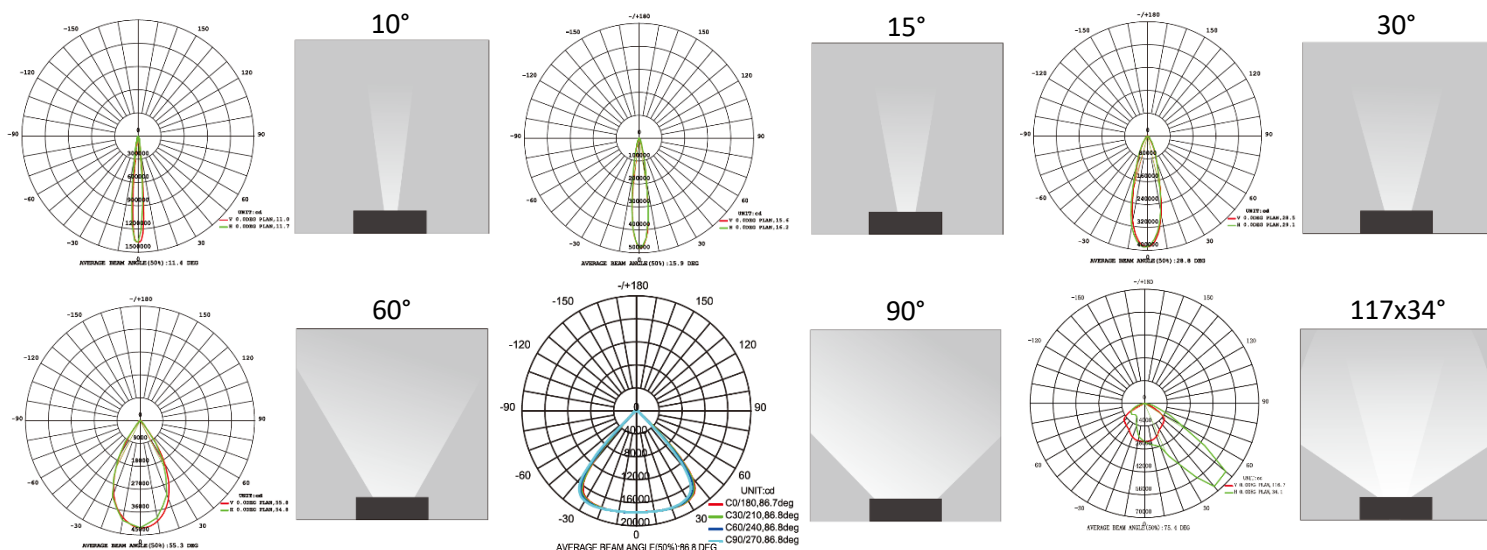
MARSHAL LED Stadium Light

SPECIFICATION

Picture										
Series Code	MT-FL-07-G11-CS									
Power	200W	240W	300W	400W	500W	600W	700W	900W	1000W	1200W
Voltage Input	AC 100 - 277V 50/60 Hz									
CCT	3000K, 4000K, 5000K and 5700K									
Lumen	140 Lm/W (SMD 5050)									
CRI	>70									
PF	≥ 0.95									
Beam Angle	10°, 15°, 30°, 60°, 90° and 117x34°									
Size	L495*W267*H230 mm			L560*W530*H230 mm			L735*W530*H230 mm		L895*W530*H230 mm	
Life Span	50,000 Hrs									
IP rating	IP66									
Working temperature	-20° – +50°									
Driver	Inventronics Driver									
Housing	ADC12 Die Cast Aluminum with Tempered glass									

MARSHAL LED Stadium Light

Photometry

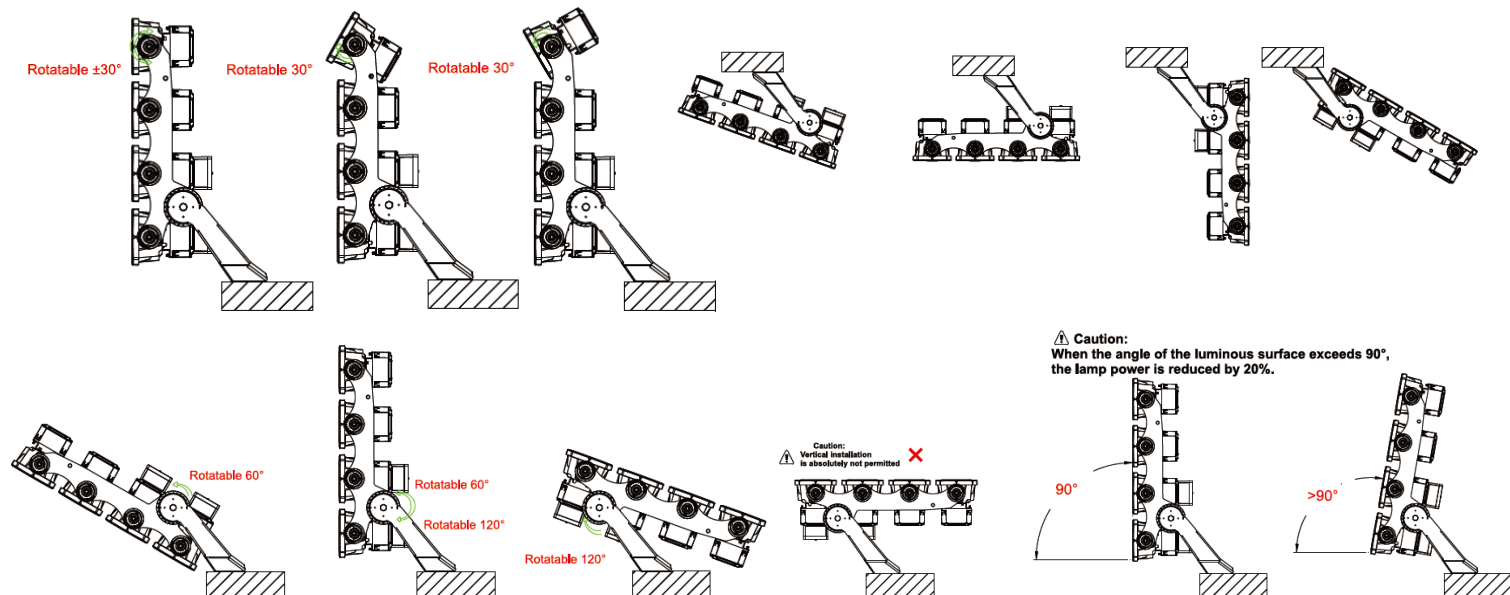


Aiming

- The rotation of a single module can be achieved by adjusting the screw on only one side.
- Private mould, special and unique structure.
- Each Module Flexible adjustment, with Gear Locking Design
- High light transmittance, Stronger IK09 Protection



MARSHAL LED Stadium Light



Perfect Heatsink

- Perfect heat dissipation, die-casting aluminum body.
- Air convection design, for high heat conductivity and quickly heat dissipation.
- Elegant appearance ,streamline design the most ultra-integrated floodlight vortex thermal design increases the contact surface of the heat sink



Perfect Heatsink



IP66 waterproof

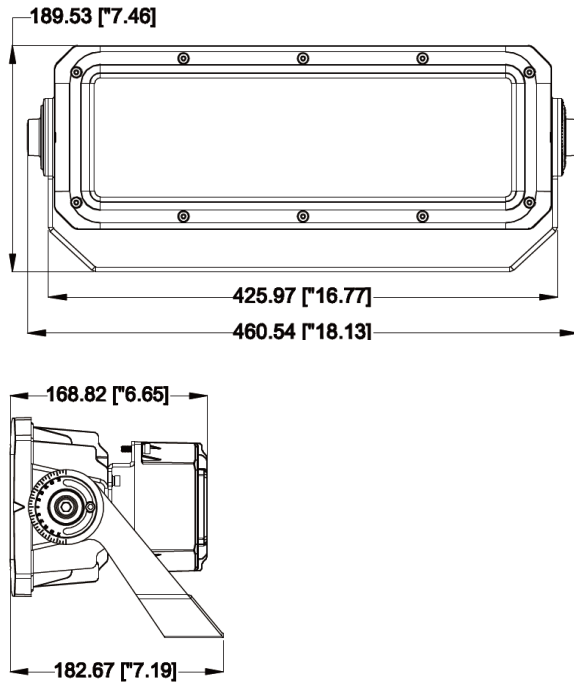


2 Strong Chain
Double Safety Protection

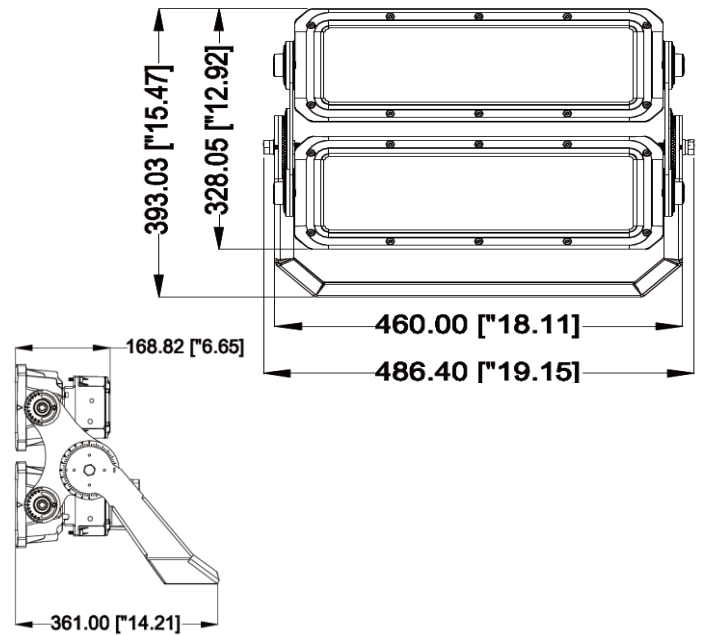
MARSHAL LED Stadium Light

Dimensions

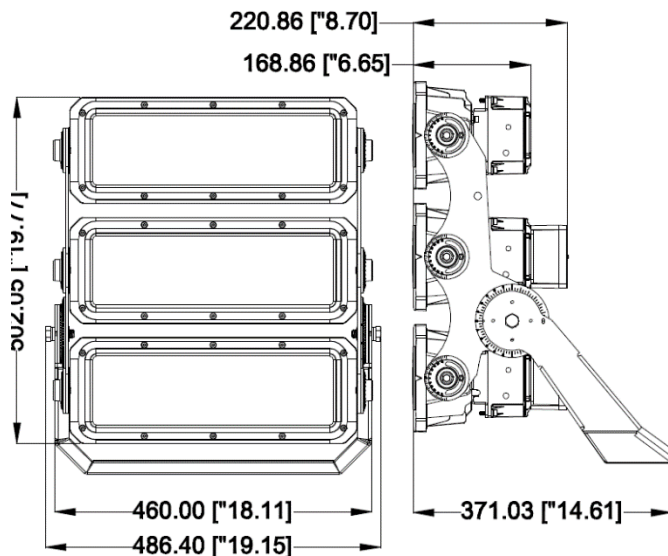
200W / 240W / 300W



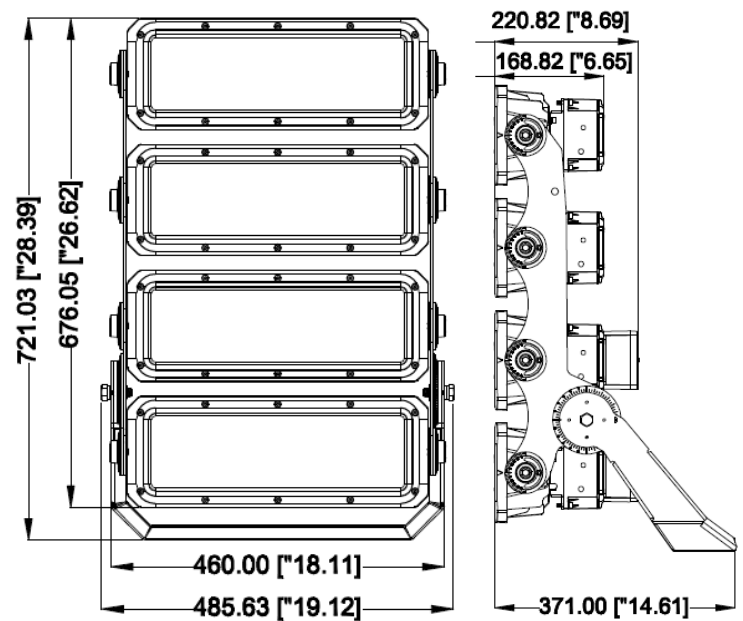
400W / 500W / 600W



700W / 900W



1000W / 1200W



Headquarter Germany

Mattentwiete 5
20457 Hamburg
Germany

☎ +49 - 40 32 08 27 3
☎ +49 - 40 32 08 27 59

✉ mail@merkur-hamburg.de

Office United Arab Emirates

Level 41, Emirates Towers
Sheikh Zayed Road
P.O. Box: 31 303
Dubai - U.A.E.

☎ +971 - 43 13 28 92
☎ +971 - 43 13 27 53

Office Hongkong

Unit 1202, Level 12,
One Peking Building
1 Peking Road, Tsim Sha Tsui
Hongkong

☎ +852 - 39 80 92 25
☎ +852 - 39 80 92 34

Distributors

Afghanistan

Liberty Corporation Co.
64m Street, Herat City
Afghanistan
☎ +937 - 99 69 44 81

Bahrain

Shaheen Group
P.O.Box 405
Manama
Kingdom of Bahrain
☎ +973 -17 81 35 35z

Cameroon

CALICO Sarl
BP 15566
Douala
Cameroon
☎ +237- 22 43 80 44

Ghana

Luminant Electricals
P.O. Box CT5204
Cantonment-Accra
Ghana
☎ +233 - 27 52 29 62 2

Lebanon

Tele Project
P.O. Box 55268
Sin el Fil
Lebanon
☎ +961 - 16 87 900

Oman

Trade Links and Services Co. LLC
P.O.Box 2901
Ruwi 112
Sultanate of Oman
☎ +968 - 24 70 67 75

Saudi Arabia

Ahmed Omer Bagazy Est.
P.O. Box 16367
Jeddah 21464
Saudi Arabia
☎ +966 - 26 47 29 28

Sri Lanka

Rotax Limited
332 Galle Road
Colombo 04
Sri Lanka
☎ +94 - 11 55 74 07 0

United Arab Emirates

GILCO CONTRACTING & BUILDING
WORKS L.L.C.
P.O. Box 4916
Deira, Dubai
United Arab Emirates
☎ +971 - 43 96 15 25

Yemen

Al Ashwal for Electrical Trade &
Agencies
Shoub Street
Sana'a
Yemen Republic
☎ +967 - 12 82 43 2