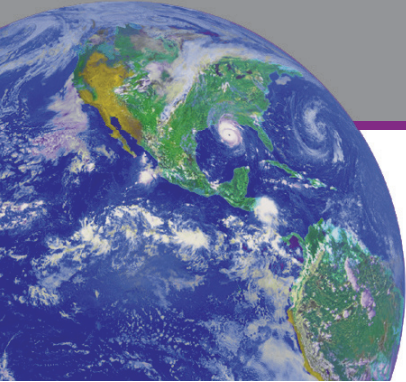


MERKUR®

METERING

Electronic CTS Prepaid Meters



MERKUR®

GERMAN TECHNOLOGY

Electronic CTS Prepaid Meter DDSY-T10



Single Phase Prepaid Keypad Meter

MERKUR once again makes waves in the metering world by introducing DDSY-T10. **MERTRONIC** DDSY-T10 is a single-phase 2 wire, keypad-based, stand-alone prepayment electricity meter in a compact housing that needs to be installed inside the household. An integrated keypad and LCD ensure all customer needs are met in one compact design.

MERTRONIC DDSY-T10 is easy to install and ideal for new reticulation as well as retrofitting of credit meters with BS footprints. DDSY-T10 has tamper detection features, including Significant Reverse Energy (SRE) detection. Key feature of DDSY-T10 meter is the ability to operate as a Smart Pre-Payment Meter and Post-Payment meter.

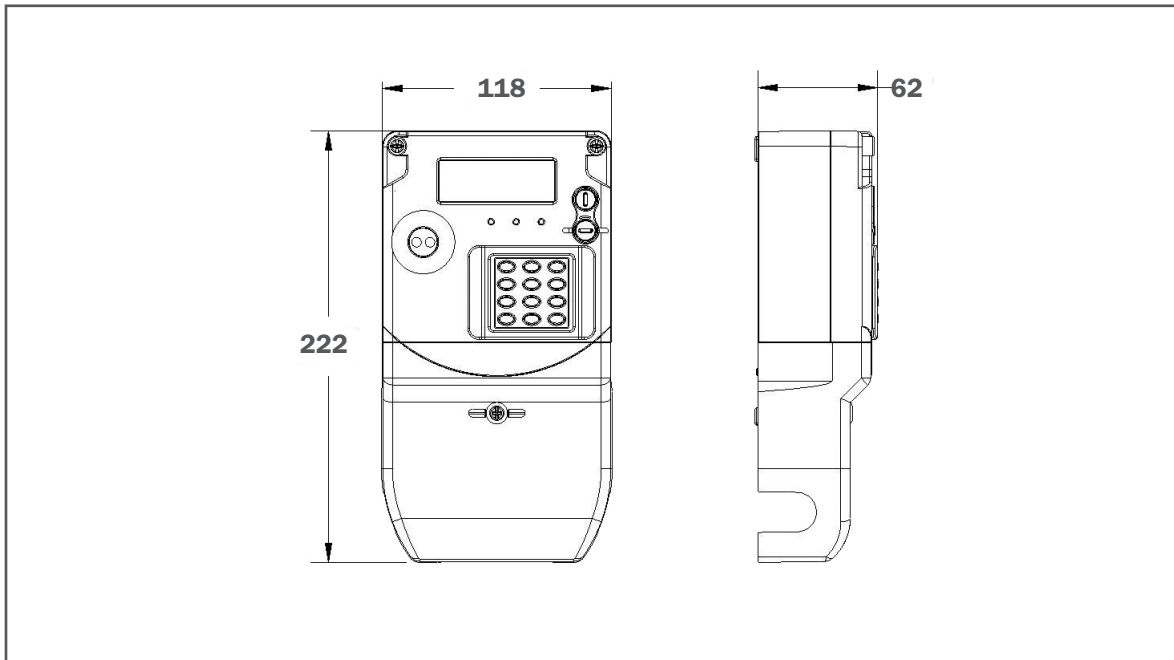
Main Features

- . Forward & reverse active power measurement
- Prepaid function
- Storage month active energy for latest 6 months
- Load control
- Display readable without main power
- Overdraft active energy
- Active max.demand measurement
- Remaining electric quantity alarm
- Event recording
- Infrared communication, RS485 communication

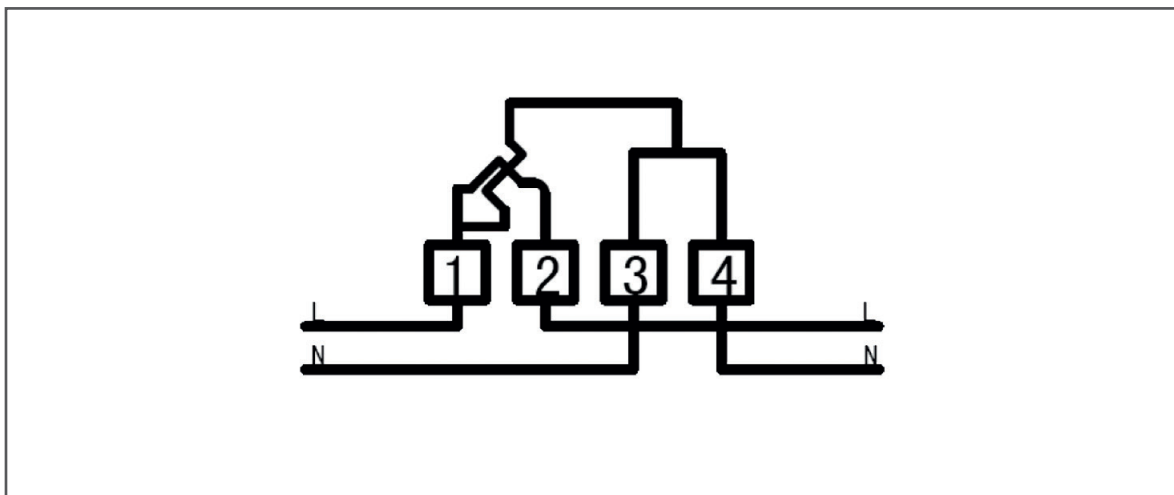
Matchcode	DDSY-T10
Rated voltage	230V
Working voltage	0.7Un~1.3Un
Basic current(Ib)	5A
Maximum current(Imax)	60A
Starting current	0.4%Ib
Rated frequency	50Hz
Frequency variation range	95%~105%fn
Power consumption for voltage circuit	≤2W 5VA
Impulse constant	active 1200imp/kWh
Protection degree	IP54

Electronic CTS Prepaid Meter DDSY-T10

Dimension



Connection Diagram



Electronic CTS Prepaid Meter DTS353



Three Phase Prepaid Keypad Meter

MERTRONIC DTS353 Three Phase meter is a four-wire 100 Amp per phase, keypad-based prepayment meter in a compact housing. This meter is equally ideal for New and Retrofit installation, either Residential, Commercial or Light Industrial. The meter boasts a large customised display and also features the ability to operate as Pre-Payment meter or in Credit Metering mode.

The DTS353 Three Phase meter is mechanically sealed against tampering through the use of factory sealed plugs and optional sealing wires for the electronic enclosure. The meter is equipped with a tamper sensor that will automatically disconnect the power to the load in the event of tampering.

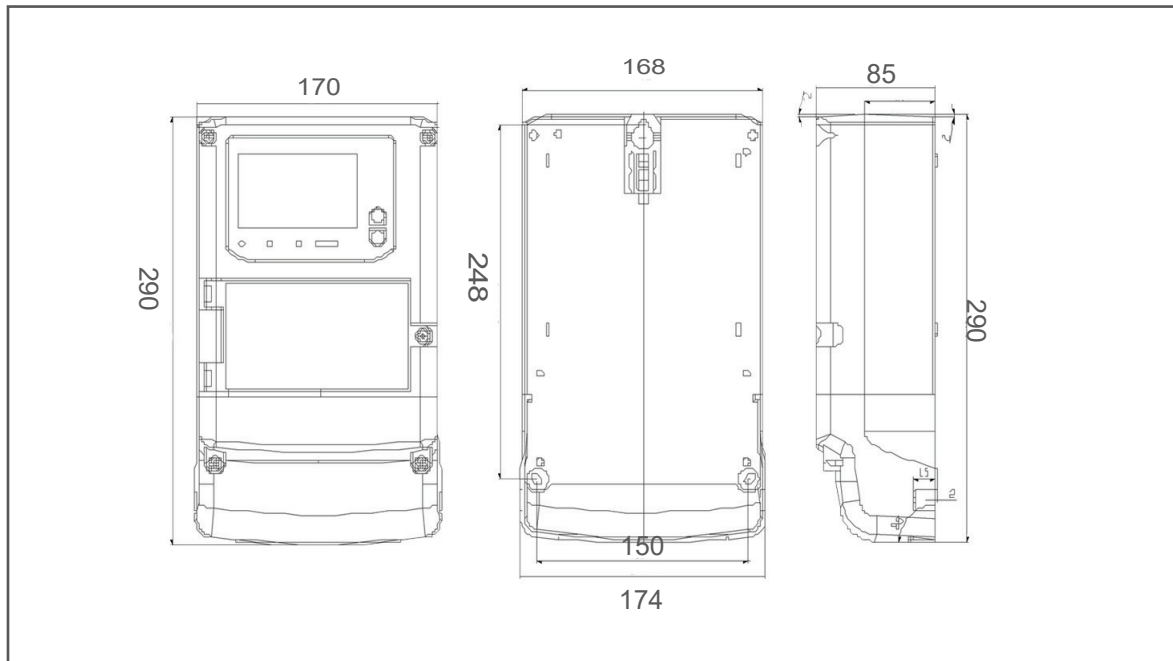
Main Features

- Energy management
- Warning output
- Status Detection
- Electrical parameters measurement
- Event recording

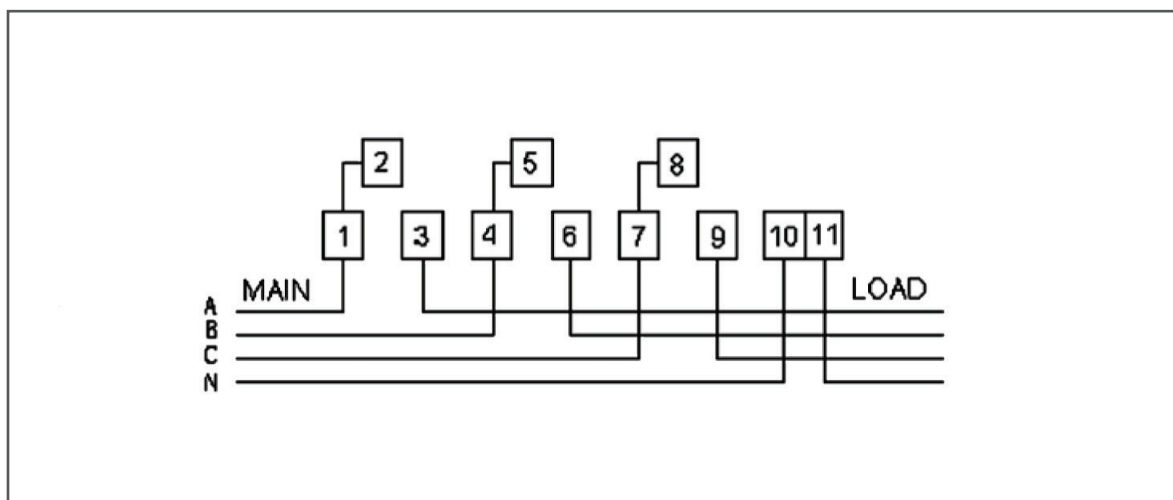
Matchcode		DTS353
Voltage	Line voltage(Un)	3*230V
	Phase voltage	3*400V
	Normal working voltage	0.7Un - 1.3Un
	Limit working voltage	0Un- 1.9Un
Current	Basic current(Ib)	10A
	Maximum current(Imax)	100A
	Starting current	0.4%Ib
	Normal working current	0.4%Ib- 100A
	Limit working current	0.4%Ib- 120A
Frequency	Basic working frequency	50Hz
	Normal working frequency	95%fn-105%fn
Power consumption for voltage circuit		s.SW 10VA
Impulse constant	Active impulse constant	400imp/kWh
	Reactive impulse constant	400imp/kvarh
Protection dgree		IP54

Electronic CTS Prepaid Meter DTS353

Dimension



Connection Diagram



Headquarter Germany

Mattentwiete 5
20457 Hamburg
Germany

☎ +49 - 40 32 08 27 3
☎ +49 - 40 32 08 27 59

✉ mail@merkur-hamburg.de

Office United Arab Emirates

Level 41, Emirates Towers
Sheikh Zayed Road
P.O. Box: 31 303
Dubai - U.A.E.

☎ +971 - 43 13 28 92
☎ +971 - 43 13 27 53

Office Hongkong

Unit 1202, Level 12,
One Peking Building
1 Peking Road, Tsim Sha Tsui
Hongkong

☎ +852 - 39 80 92 25
☎ +852 - 39 80 92 34

Distributors

Afghanistan

Liberty Corporation Co.
64m Street, Herat City
Afghanistan
☎ +937 - 99 69 44 81

Bahrain

Shaheen Group
P.O.Box 405
Manama
Kingdom of Bahrain
☎ +973 -17 81 35 35z

Cameroon

CALICO Sarl
BP 15566
Douala
Cameroon
☎ +237- 22 43 80 44

Ghana

Luminant Electricals
P.O. Box CT5204
Cantonment-Accra
Ghana
☎ +233 - 27 52 29 62 2

Lebanon

Tele Project
P.O. Box 55268
Sin el Fil
Lebanon
☎ +961 - 16 87 900

Oman

Trade Links and Services Co. LLC
P.O.Box 2901
Ruwi 112
Sultanate of Oman
☎ +968 - 24 70 67 75

Saudi Arabia

Ahmed Omer Bagazy Est.
P.O. Box 16367
Jeddah 21464
Saudi Arabia
☎ +966 - 26 47 29 28

Sri Lanka

Rotax Limited
332 Galle Road
Colombo 04
Sri Lanka
☎ +94 - 11 55 74 07 0

United Arab Emirates

GILCO CONTRACTING & BUILDING
WORKS L.L.C.
P.O. Box 4916
Deira, Dubai
United Arab Emirates
☎ +971 - 43 96 15 25

Yemen

Al Ashwal for Electrical Trade &
Agencies
Shoub Street
Sana'a
Yemen Republic
☎ +967 - 12 82 43 2